



Product Showcase

## Australian Hardwood Flooring



The luxurious  
signature in premium  
architectural spaces

Modinex's passion is to turn your creative vision into reality. Through collaboration with architects & designers, we thrive by creating spaces that not only enrich your lives but positively impact the world around us.

Our range of bespoke timbers and architectural timbers is the provision required for all you need to enhance & elevate your space – let us be your design innovation partners.



# How to specify

Download REVIT files, installation instructions, product care and technical information at [modinex.com.au](https://www.modinex.com.au)

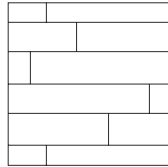


## Plank

Thickness: 13.5mm

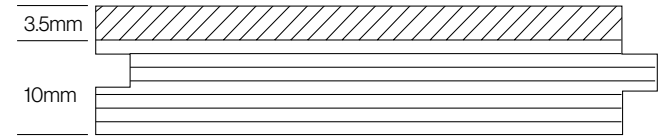
Width: 136mm & 180mm

Length: 1830mm & 2190mm



## Wear Layer

Our 13.5mm profiles have a 3.5mm wear layer.



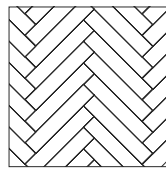
## Herringbone

Thickness: 13.5mm

Width: 136mm

Length: 680mm

Only available in signature grade

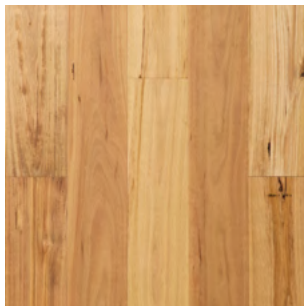


## Coating

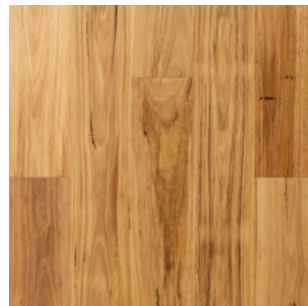
Manufactured with 8 coats of Bona Traffic ultra matt for heavy duty use giving that premium raw natural aesthetics.

- 25-year structural warranty
- Non-Toxic
- Two part water based poly coating
- Excellent wear resistance

## Blackbutt

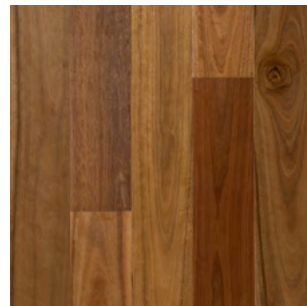


Signature



Organic

## Spotted Gum



Signature

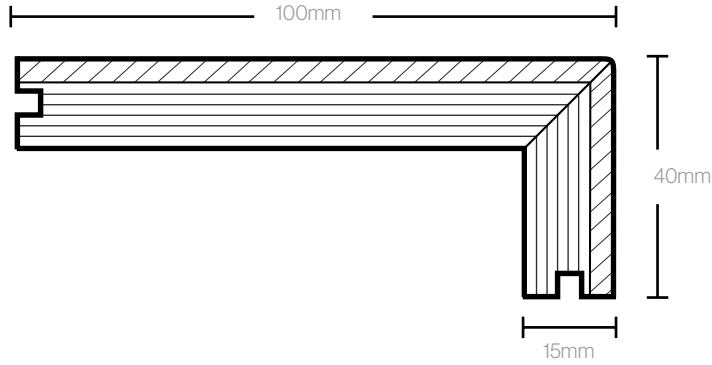


Organic

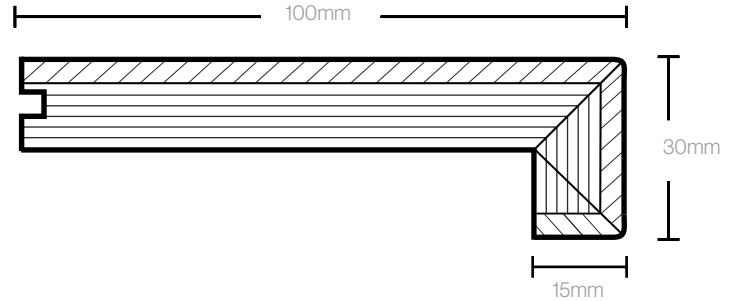


## Stair Nosing

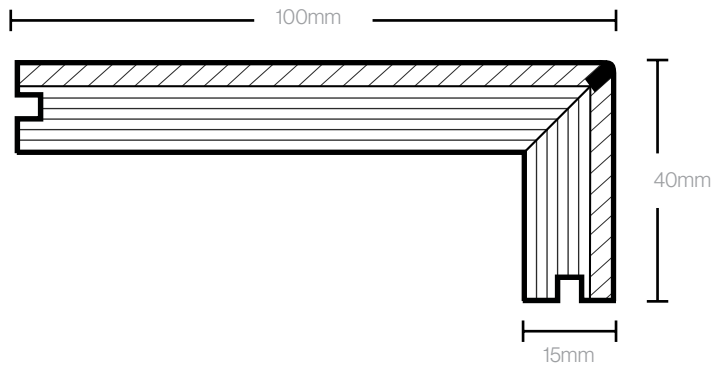
Stair Nosing 01



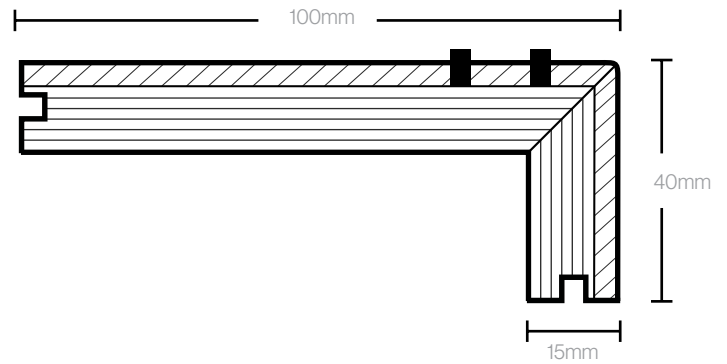
Stair Nosing 03



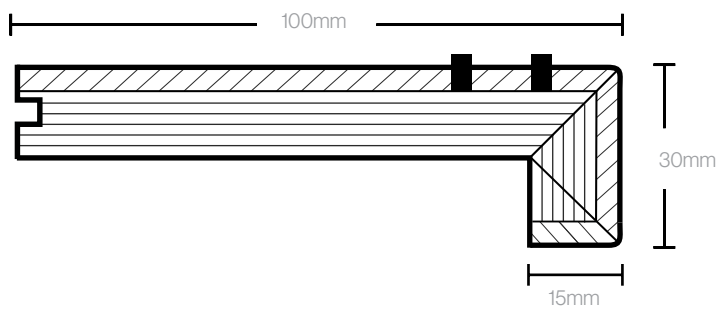
Stair Nosing 05



Stair Nosing 07



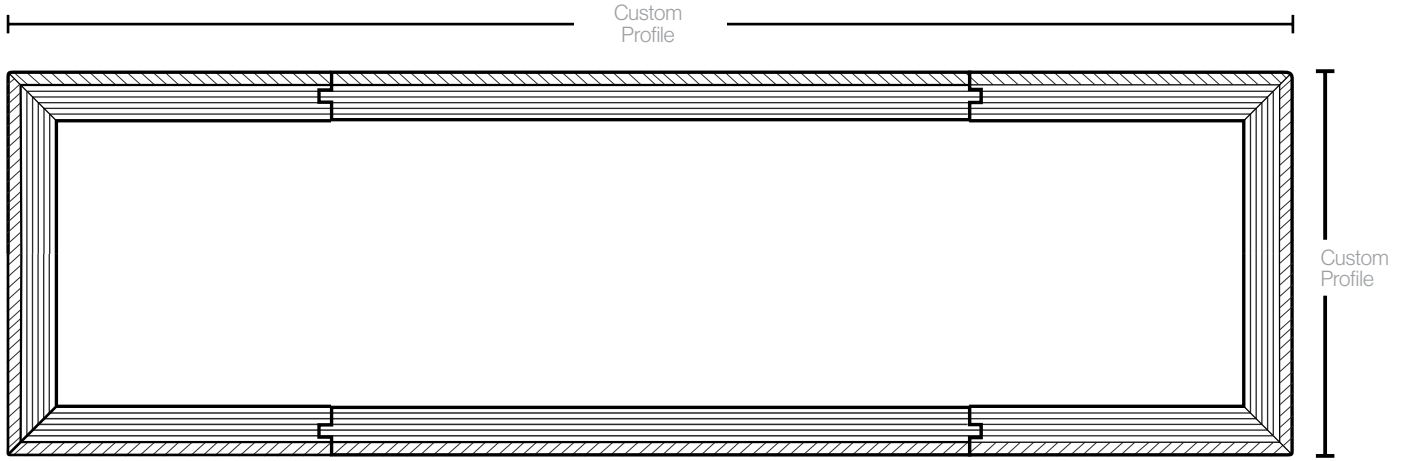
Stair Nosing 09



# Enclosed Treads

---

Enclosed Treads 01





Create stunning wow factor  
with flexibility of style, texture,  
colour, shape and species.

Talk with our design team today about how to maximise the grandeur of your space. Our extensive product range puts a wealth of inspiration at your fingertips. We can even collaborate with you to innovate custom solutions, specifically designed to bring your vision to life and elevate your space with exclusive designer appeal.

 **Modinex**

Let us help you specify your next project

Contact P—1800 156 455 E—hello@modinex.com.au

**Learn more**

Inspiration and product downloads  
available at [modinex.com.au](https://www.modinex.com.au)

